

JOB NAME:

QUANTITY:

ITEM NO.:

PRODUCT NAME:

8" DECK W/ SWIVEL GOOSENECK

MODEL:

□ 26166 WITH 9" SWIVEL GOOSENECK

FEATURES:

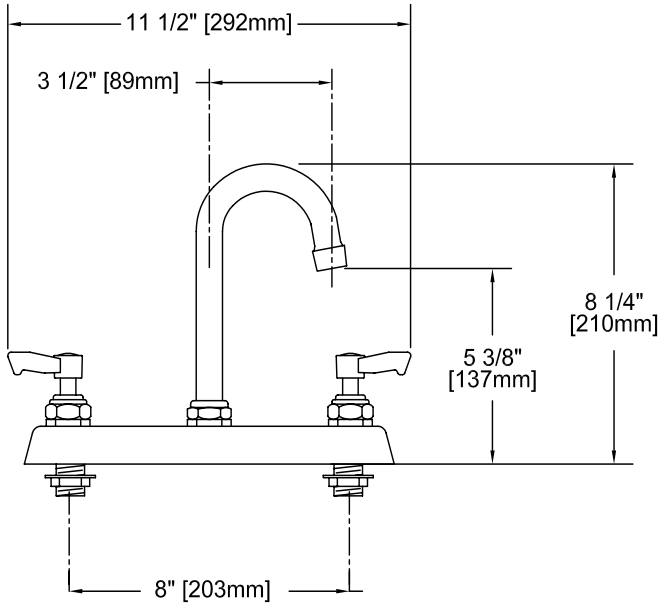
- \* 8" DECK MOUNTED
- \* 1 1/2" LONG SHANKS WITH LOCK NUTS AND 1/2" NPT THREADS

SYSTEM LIMITS

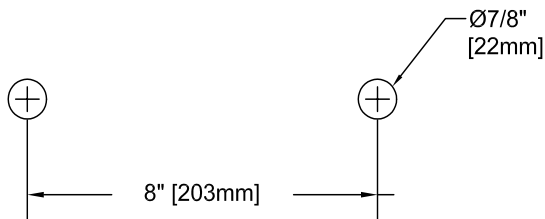
TEMP: 40 F MIN TO 140 F MAX  
 PRESSURE 200 PSI MAX STATIC  
 2.20 GPM @ 60 PSI

SHIPPING WEIGHT

\* 5.5 LBS



ROUGH IN:



ANSI/A112.18.1M

Distributed by Fisher Manufacturing Company  
 P.O. Box 60 Tulare, CA 93725-0060  
 Phone 800-421-6162 FAX 800-8-FAUCET (800-832-8238)